

DESCRIPTION

Solenoid valve 2 way normally closed direct acting poppet type

CONSTRUCTION

Body	Brass
Armature tube	Brass
Plunger and core	AISI 430FR
Springs	AISI 302
Seal material	NBR - FPM - EPDM

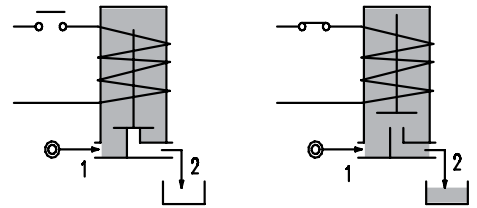
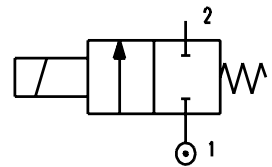


2

FEATURES

- Maximum allowable pressure PS 50bar^③
- Maximum fluid viscosity 25cSt (mm²/s)
- Ambient temperature: from -10°C to +80°C according to the coil
- Universal mounting position

- OPTIONS:**
- Stainless steel armature tube
 - Electroless nickel plating
 - Series 7 explosion proof coil according to ATEX - EExmII
 - Manual override
 - Versions for use with industrial oxygen
 - UL[®] us certified coils



ON REQUEST: Versions for use with fluid temperature at -40°C

CODE ① ②	Connection G ISO 228	Orifice mm	Kv m ³ /h	Differential pressure bar			Nominal power			Coil		Seal ①	Temp. range °C
				Min	Max		AC Inrush	VA Holding	DC Watt	Series	Width		
E105A...12///...	1/8"	1.2	0.04	0	25	25	12	8	6.5	3	22	NBR=B	-10 +90
E105A...15///...		1.5	0.06	0	16	16							
E105A...20///...		2	0.09	0	12	10							
E105A...25///...		2.5	0.14	0	8	5.5							
E105A...31///...		3.1	0.19	0	5	2							
E105A...40///...	1/8"	4	0.35	0	4	1.5	15	11	5	4	30	FPM=V	-10 +140
E105A...20///...		2	0.09	0	25	15							
E105A...25///...		2.5	0.14	0	16	8							
E105A...31///...		3.1	0.19	0	8	4							
E105A...40///...		4	0.35	0	5	2.5							

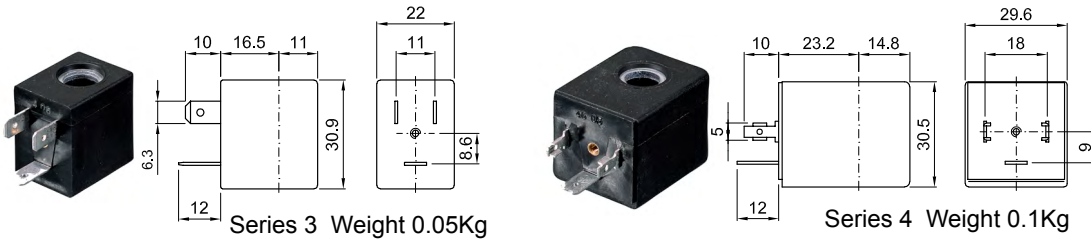
- ① Seal Example: E105AB20///30B NBR seal
- ② Coil Example: Coil 24V 50/60Hz
- ③ The maximum allowable pressure PS for steam is 2,5bar (gauge pressure)

COILS ②	Alternating Current 50/60Hz (V)							Direct Current (V)			Electrical connection	Connectors
	12	24	48	110	220 230	240	380	12	24	48		
Series 3 Width 22	30A	30B	30C	30D	30E	30F	30G	300	301	302	DIN 46244	PG9 code 10348000
Series 4 Width 30	40A	40B	40C	40D	40E	40F	40G	400	401	402	DIN 43650A	PG9 code 10349000

DESCRIPTION
 Class F insulation
 Voltage tolerance
 AC +15% -10%
 DC ± 10%
 Protection class
 IP65 with connector fitted
 IP00 without connector
 Continuous service ED100%

OPTIONS
 Class H insulation
 Cable attached
 Special coil voltage
 Special coil powers
 US certified coils

(for coil details see section 8)

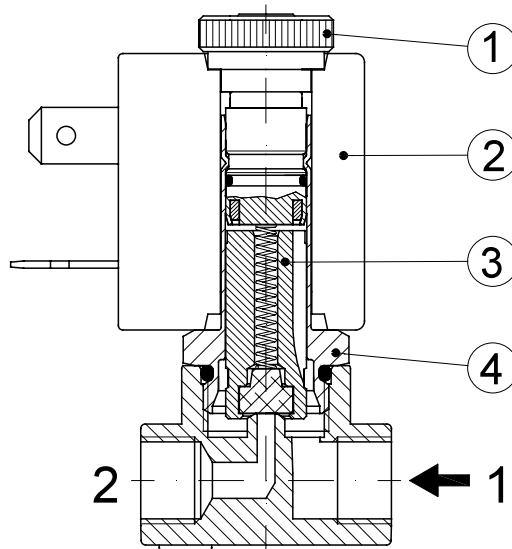


Series 3 Weight 0.05Kg

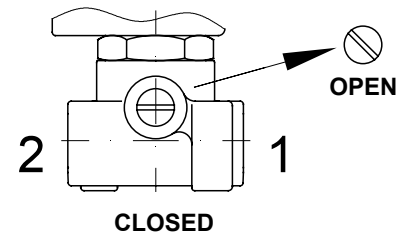
Series 4 Weight 0.1Kg

SPARE PARTS LIST

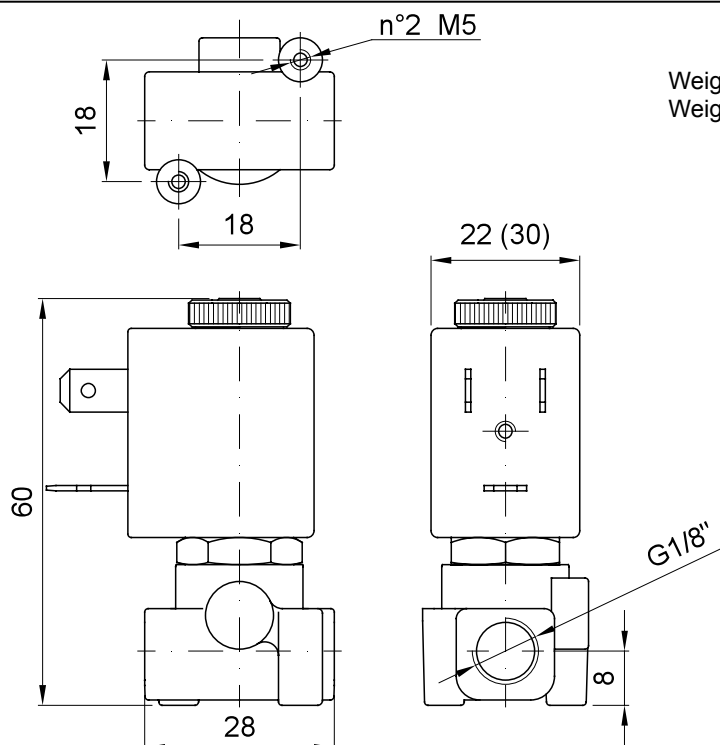
1. Coil fixing nut
2. Coil
3. Plunger
4. Armature tube assembly



MANUAL OVERRIDE



OVERALL DIMENSION



Weight with coil series 3=0.13Kg
 Weight with coil series 4=0.18Kg

data in brackets are referred to coil series 4