

DESCRIPTION

Solenoid valve 2 way normally open
direct acting poppet type

CONSTRUCTION

Body	Brass
Armature tube	Brass
Plunger and core	AISI 430FR
Springs	AISI 302
Seal material	NBR - FPM - EPDM



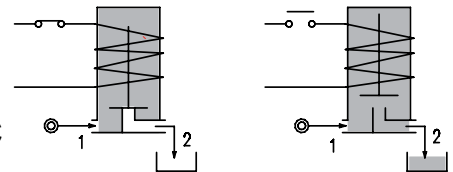
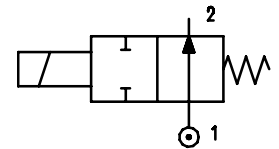
2

FEATURES

Maximum allowable pressure PS 50bar^④
 Maximum fluid viscosity 25cSt (mm²/s)
 Ambient temperature: from -10°C to +80°C according to the coil
 Universal mounting position

OPTIONS: Stainless steel armature tube
 Electroless nickel plating
 c us certified coils

ON REQUEST: Versions for use with fluid temperature at -40°C
 Manual override



CODE ① ② ③	Connection G ISO 228	Orifice mm	Kv m ³ /h	Differential pressure bar			Nominal power			Coil		Seal ①	Temp. range °C							
				Min	Max		AC Inrush	VA Holding	DC Watt	Series	Width									
					AC	DC														
E206... ..15///...	1/8"	1.5	0.07	0	23	20	15	-	2	30	NBR=B	-10 +90								
E206... ..20///...		2	0.1	0	17															
E206... ..25///...		1/4"	2.5	0.15	0								12							
E206... ..35///...		3.5	0.32	0	7															
E206... ..45///...	1/4"	4.5	0.41	0	4.5	40	30	27	5	36			EPDM=E	-10 +140						
E206... ..52///...		5.2	0.47	0	3															
E206... ..15///...		1/8"	1.5	0.07	0										23	23				
E206... ..20///...	2	0.1	0	17	17															
E206... ..25///...	1/4"	2.5	0.15	0	12										12					
E206... ..35///...	3.5	0.32	0	7	7															
E206... ..45///...	1/4"	4.5	0.41	0	4.5										4.5					
E206... ..52///...		5.2	0.47	0	3										3					
E206... ..64///...		6.4	0.64	0	3.5						3.5									
D206... ..15/3/...	1/8"	1.5	0.07	0	-						18	-			-	10	2	30	FPM=V	-10 +140
D206... ..20/3/...		2	0.1	0	-						11									
D206... ..25/3/...		1/4"	2.5	0.15	0						-									
D206... ..35/3/...		3.5	0.32	0	-	4														
D206... ..45/3/...	1/4"	4.5	0.41	0	-	3														
D206... ..52/3/...		5.2	0.47	0	-	2.2														

- ① Connection: A=1/8" , B=1/4"
- ② Seal
- ③ Coil

Example: E206BB35///20E NBR seals
 Coil 230V 50/60Hz

④ REMARK

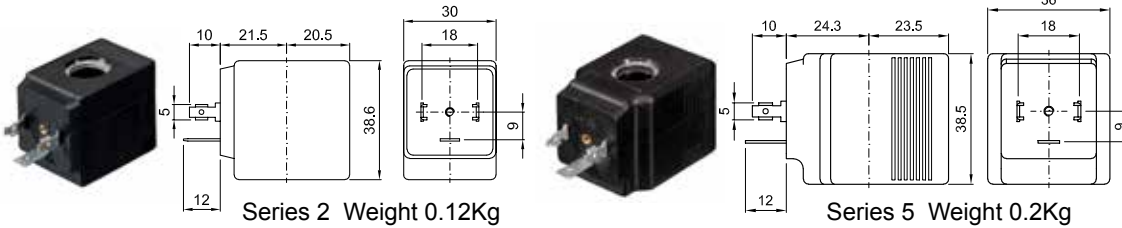
The maximum allowable pressure PS for steam is 2.5bar (gauge pressure)

COILS	Alternating Current 50/60Hz (V)							Direct Current (V)			Electrical connection	Connectors
	12	24	48	110	220 230	240	380	12	24	48		
Series 2 Width 30 Code ③	20A	20B	20C	20D	20E	20F	20G	200	201	202	DIN 43650A	PG9 code 10349000
Series 5 Width 36 Code ③	52A	52B	52C	52D	52E	52F	52G	520	521	522	DIN 43650A	PG11 code 10349001

DESCRIPTION
 Insulation class
 Series 2 =F Series 5=H
 Voltage tolerance
 AC +15% -10%
 DC ± 10%
 Protection class
 IP65 with connector fitted
 IP00 without connector

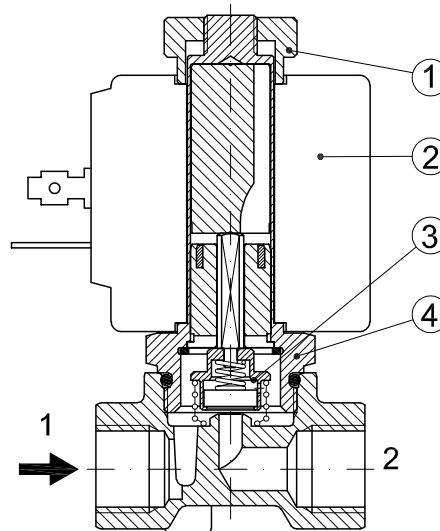
OPTIONS
 Class H insulation (series 2)
 Cable attached
 Special coil voltage
 Special coil powers
 c US certified coils

(for more details see section 8)

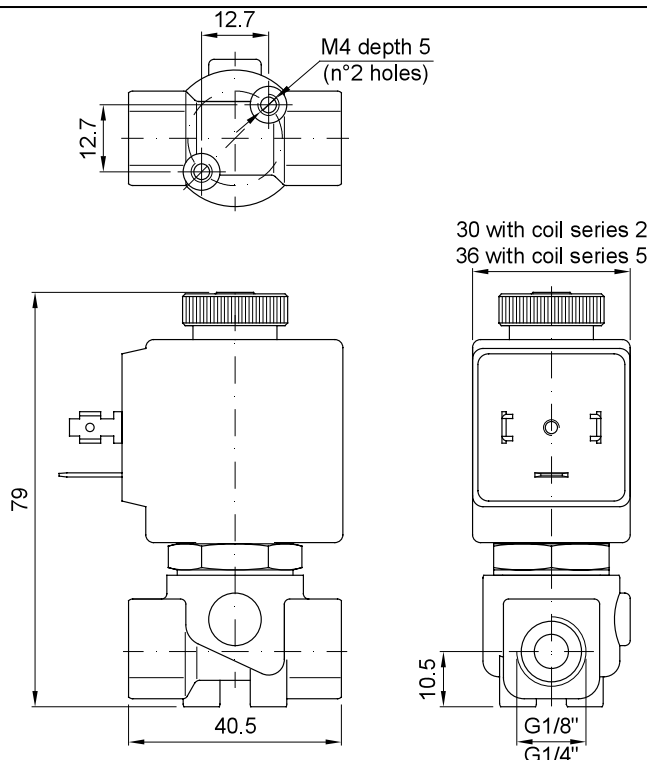


SPARE PARTS LIST

1. Coil fixing nut
2. Coil
3. Seal assembly
4. Armature tube assembly



OVERALL DIMENSION



Weight with coil series 2=0.30Kg
 Weight with coil series 5=0.38Kg